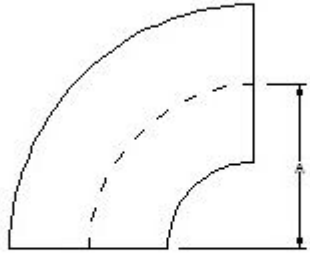
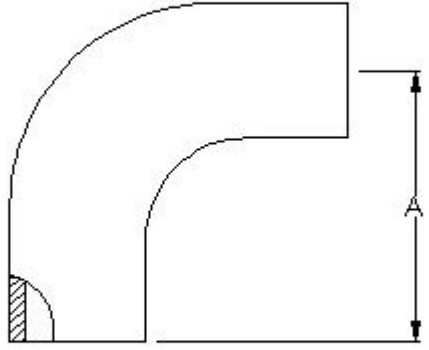
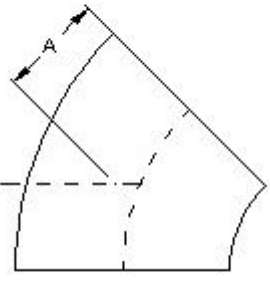


A	STAINLESS STEEL	TUBE SIZE
1.125		3/4"
1.500		1"
2.250		1 1/2"
3.000		2"
3.750		2 1/2"
4.500		3"
6.000		4"
9.000		6"

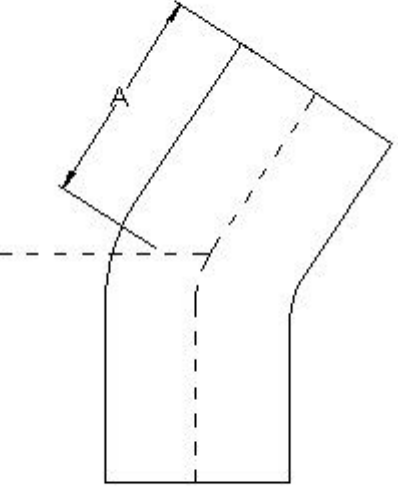
**W001-90° Elbow**

A	STAINLESS STEEL	TUBE SIZE
3.000		3/4"
3.000		1"
2.938		1 1/2"
4.063		2"
5.188		2 1/2"
6.313		3"
8.313		4"

**W002-90° Elbow with Tangents**

A	STAINLESS STEEL	TUBE SIZE
.469		3/4"
.625		1"
.938		1 1/2"
1.250		2"
1.563		2 1/2"
1.875		3"
2.500		4"
3.750		6"

**W003-45° Elbow**

A	STAINLESS STEEL	TUBE SIZE
2.250		3/4"
1.188		1"
1.625		1 1/2"
2.313		2"
3.000		2 1/2"
3.688		3"
4.813		4"


**W004-45° elbow with tangents**

A	B	STAINLESS STEEL	TUBE SIZE
1.875	3.750		3/4"
1.875	3.750		1"
2.250	4.500		1 1/2"
3.000	6.000		2"
3.000	6.000		2 1/2"
3.250	6.500		3"
3.875	7.750		4"
5.000	10.000		6"

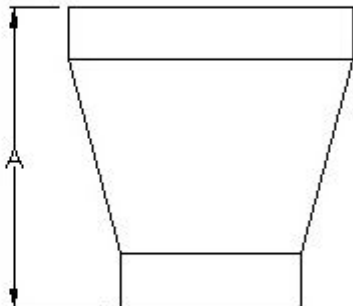
**W005-TEE**

A	B	STAINLESS STEEL	TUBE SIZE
1.875	3.750		3/4"
1.875	3.750		1"
2.250	4.500		1 1/2"
3.000	6.000		2"
3.000	6.000		2 1/2"
3.250	6.500		3"
3.875	7.750		4"
5.000	10.000		6"

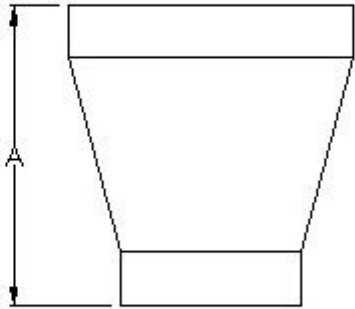
**W006-Reducing Tee**

A	STAINLESS STEEL	TUBE SIZE
.313		3/4"
.469		1"
.594		1 1/2"
.781		2"
1.063		2 1/2"
1.094		3"
1.281		4"
2.125		6"

**W007-Weld Cap**

A	STAINLESS STEEL	TUBE SIZE
2.375		1x3/4
2.375		1 1/2x1
2.375		2x1
2.375		2x1 1/2
2.375		2 1/2x1 1/2
2.375		2 1/2x2
3.625		3x1 1/2
3.625		3x2 1/2
5.310		4x1 1/2
5.310		4x2
5.310		4x2 1/2
5.310		4x3
9.000		6x3
9.000		6x4

**W008-Concentric reducer, type 4**

A	STAINLESS STEEL	TUBE SIZE
3" 3"		33.4 x 1" 1" x 1/2"

**W008-Concentric reducer, type4**